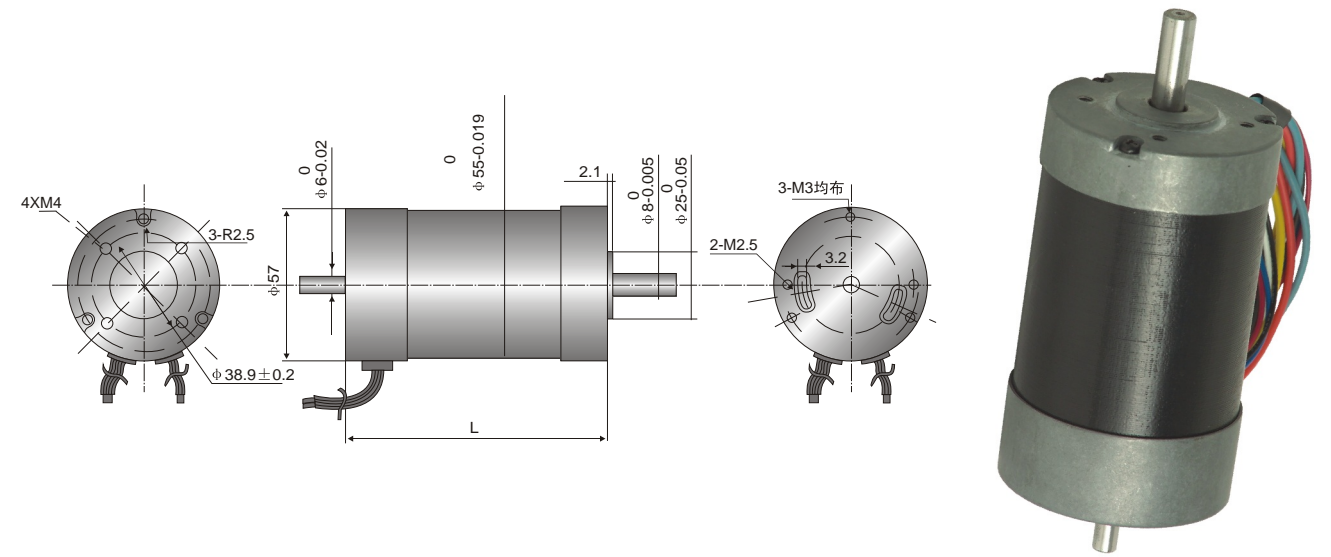


# BL-57 DC BRUSHLESS MOTOR EXTERNAL DRIVER

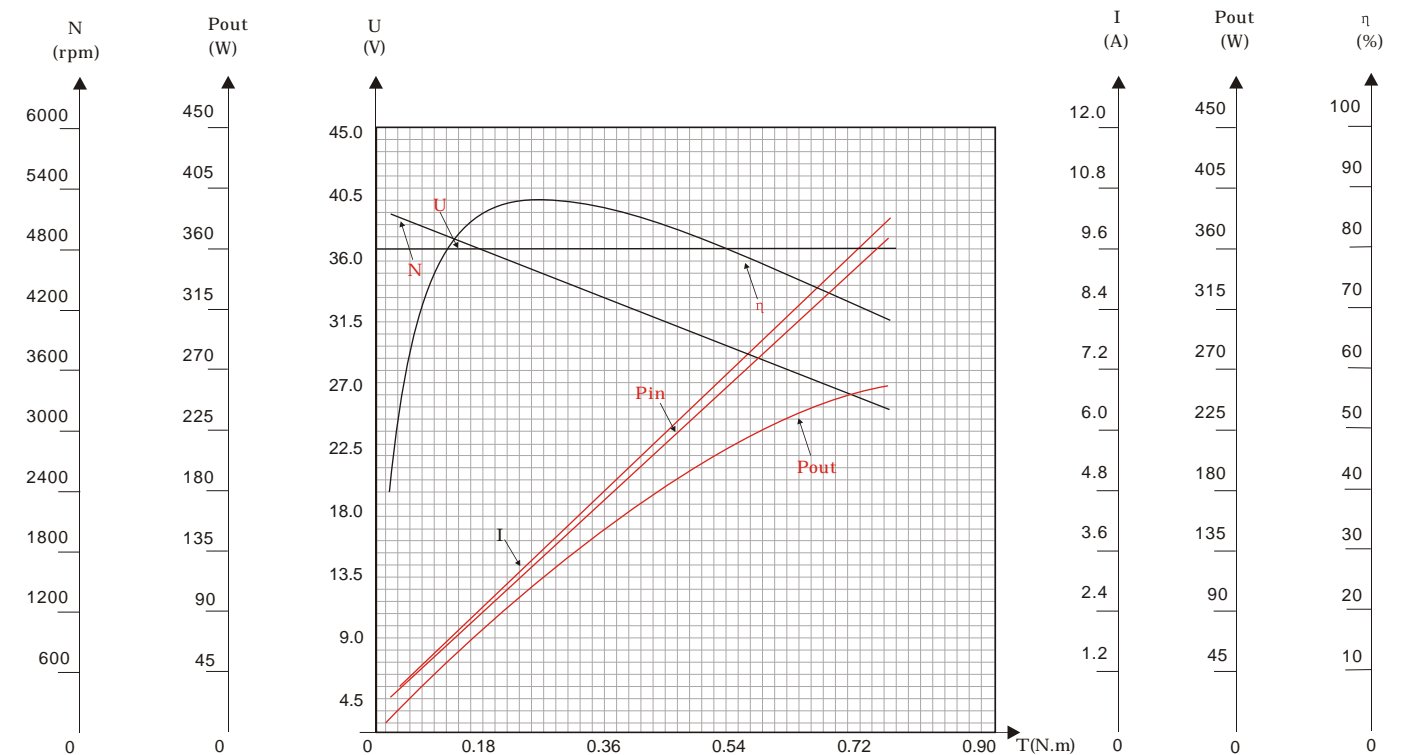
## DIMENSIONS



## SPECIFICATION

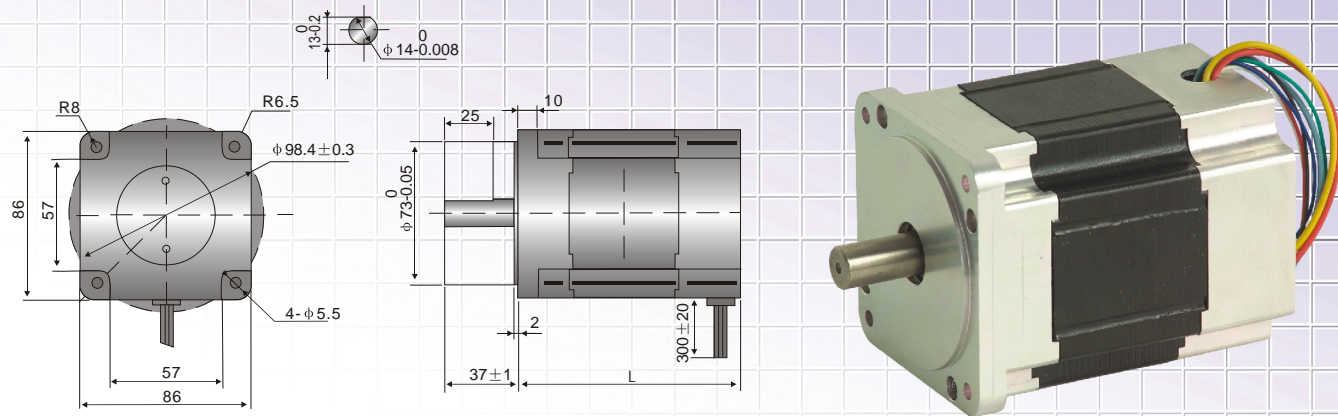
MOTOR TYPE	Rated Voltage (V)	Rated speed (rpm)	Rated Power (W)	Rated Torque (Nm)	Max Torque (Nm)	Torque Constant (Nm/A)	Rotor Inertia (Kgmm <sup>2</sup> )	Length (mm)	Weight (Kg)
BL-5756-36	36	3400	48	0.12	0.35	0.73	7.5	56	0.5
BL-5776-36	36	3400	95	0.22	0.68	0.73	11.9	76	0.75
BL-5796-36	36	3400	140	0.32	0.98	0.73	17.3	96	1

## CURVE



# BL-86 DC BRUSHLESS MOTOR EXTERNAL DRIVER

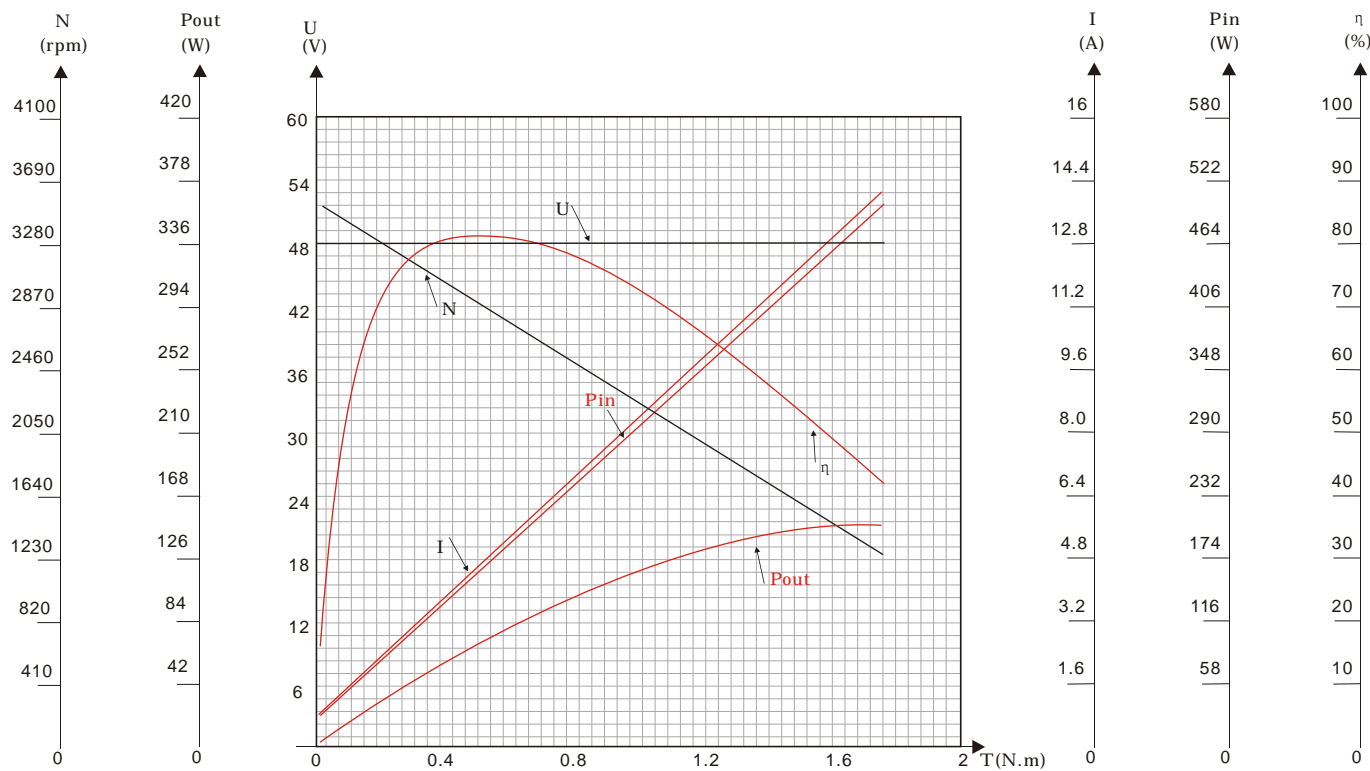
## DIMENSIONS



## SPECIFICATION

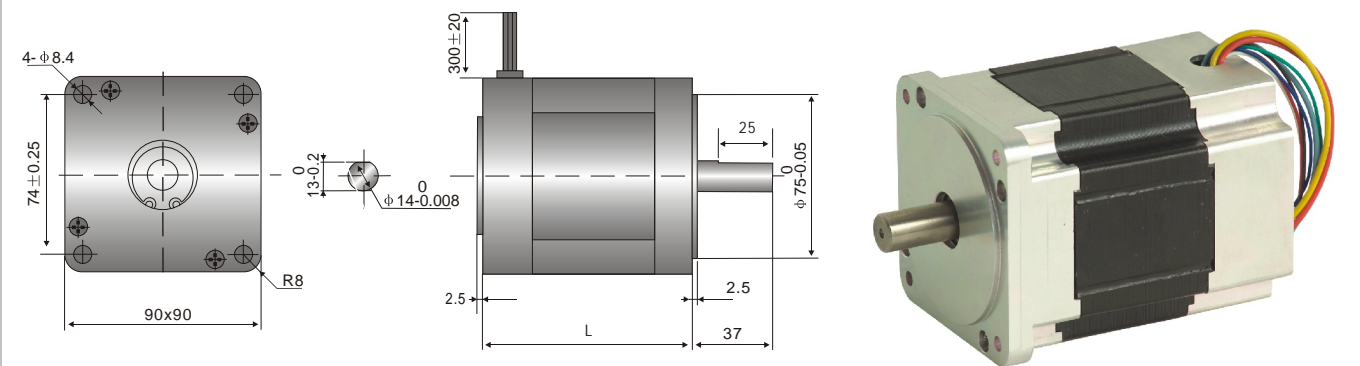
MOTOR TYPE	Rated Voltage (V)	Rated speed (rpm)	Rated Power (W)	Rated Torque (Nm)	Max Torque (Nm)	Torque Constant (Nm/A)	Rotor Inertia (Kgmm <sup>2</sup> )	Length (mm)	Weight (Kg)
BL-8690	48	3000	310	1	5.2	0.14	120	90	2.5
BL-86115	48	3000	550	1.8	9.5	0.14	222	115	3.5
BL-86140	48	3000	750	2.5	14	0.14	320	140	4.5

## CURVE



# BL-90 DC BRUSHLESS MOTOR EXTERNAL DRIVER

## DIMENSIONS



## SPECIFICATION

MOTOR TYPE	Rated Voltage (V)	Rated speed (rpm)	Rated Power (W)	Rated Torque (Nm)	Max Torque (Nm)	Torque Constant (Nm/A)	Rotor Inertia (Kgmm <sup>2</sup> )	Length (mm)	Weight (Kg)
BL-9077	24	2700	150	0.53	1.009	0.07		77	2.15
BL-9074	300	4000	335	0.8	5.2	0.63	160	74	1.8
BL-90107	300	4000	670	1.6	9.5	0.63	275	107	3
BL-90127	300	4000	880	2.1	14	0.63	350	127	4

## CURVE

