

TPQ side suction peripheral pumps

PERFORMANCE RANGE

Flow rate up to 60 l/min (3.6 m³/h)
Dynamic head up to 70 m

OPERATING LIMITS

Suction lift up to 9 m
Fluid temperature up to +60°C
Maximum ambient temperature +40°C



WORKING PRINCIPLE

The **TPQ** series consists of PERIPHERAL PUMPS, so called because the peripheral edge of the impeller contains numerous radial blades, designed to yield energy to the fluid being pumped. The particular shape of the blades rapidly transfers radial recirculation motion to the fluid on entry to the pump, between the impeller blades and the double channel, machined on each side of the pump body. Since each of the numerous blades helps transfer energy, the fluid pressure increases progressively as it passes from the suction opening to the delivery opening, ensuring an even, non-pulsing flow and high pressures with particularly steep curves. The relatively simple construction technology embodied in the **TPQ** series nevertheless requires particularly accurate mechanical machining during manufacture to prevent a drop in performance.

SHANGHAI TOP MOTOR CO.,LTD. has been in the peripheral pump market since 1988 and has developed an unequalled experience in optimizing design. This, together with great efforts in achieving fully automated production processes, makes **TOP** one of the leading world industries in its field.

PUMP INSTALLATION AND APPLICATIONS

These pumps are suitable for handling clean water not containing abrasive particles and fluids that are not chemically aggressive to the pump components. **RELIABLE, ECONOMICAL AND SIMPLE TO USE, THEY SUITABLE FOR DOMESTIC APPLICATIONS AND, IN PARTICULAR, THE AUTOMATIC DISTRIBUTION OF WATER FORM SURGE TANKS, WATERING GARDENS, FOR BOOSTING INSUFFICIENT MAINS WATER PRESSURE AND FOR SANITARY APPLICATIONS. THE HYDRAULIC PERFORMANCE OF THESE STURDY AND COMPACT PUMPS ALSO MAKES THEM IDEALLY SUITED FOR INDUSTRIAL APPLICATIONS, SINCE THEY CAN BE INSTALLED IN CONDITIONS PROHIBITIVE FOR OTHER PUMP TYPES.**

These pumps should be installed in a covered area, protected against the weather.

PERFORMANCE

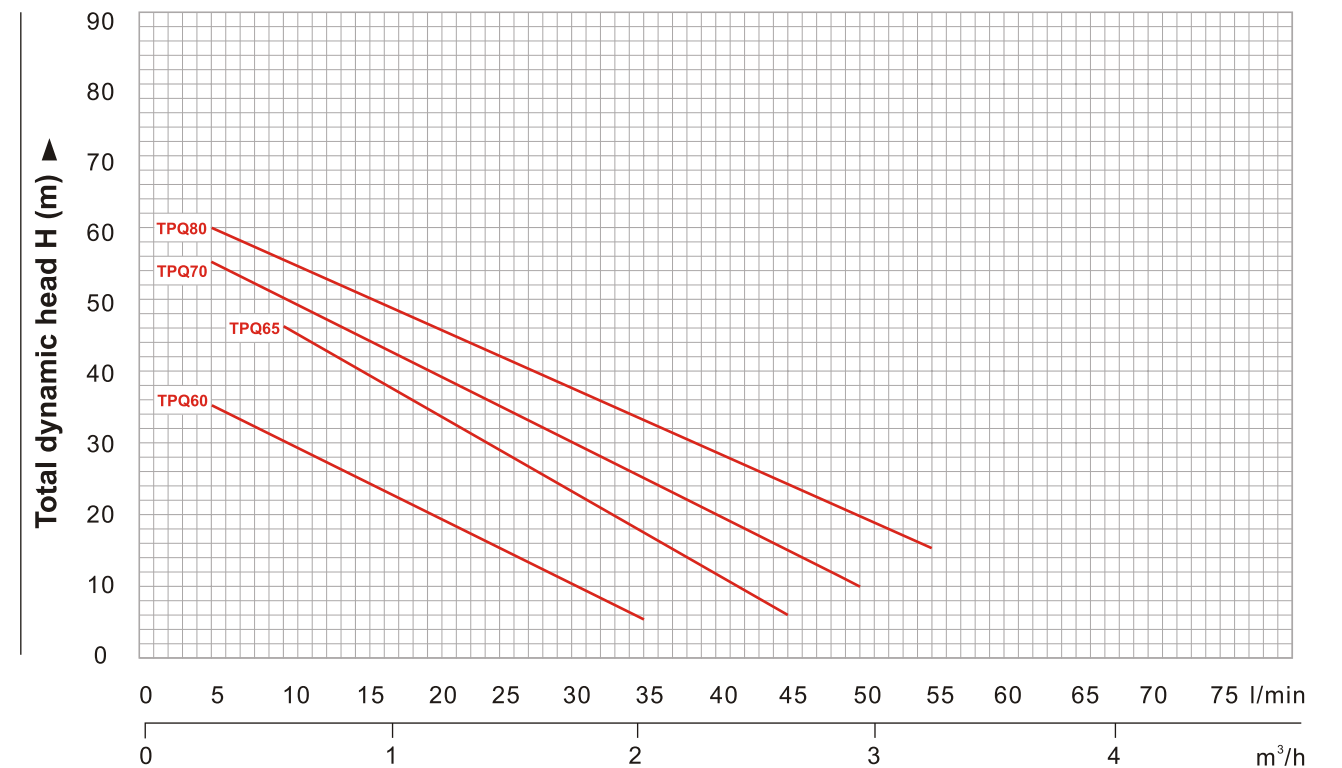
The wide range of pumps in the **TPQ** series satisfies the most various operating requirements with features such as:

- High head with respect to power requirements;
- Stable operating curves, with small variations in delivery rates with respect to large variations in the pressure demand;
- High tolerance of the presence of entrained air in the liquid being pumped.

STRUCTURAL CHARACTERISTICS

- Cast iron **PUMP BODY**
- Aluminum **MOTOR BRACKET**
- BRASS IMPELLER**, with radial peripheral blades, floating on the shaft.
- Ceramic and graphite **MECHANICAL SEAL**
- MOTOR**: the pumps are coupled directly to an asynchronous, high efficiency **TOP** induction motor of suitable size, which is quiet running, close and externally ventilated, with «B3» structural shape, suitable for continuous duty. **INSULATION class F (B up to 0.75kW).**
The **thermal cutout relay (motor protector) is incorporated in single phase motors.**
- Three phase motors require an adequate motor protector, with connections according to current standards.
- PROTECTION IP44**
- CONSTRUCTION AND SAFETY STANDARDS** in compliance with IEC.

WARRANTY: 1 YEAR (according to our general sales conditions)

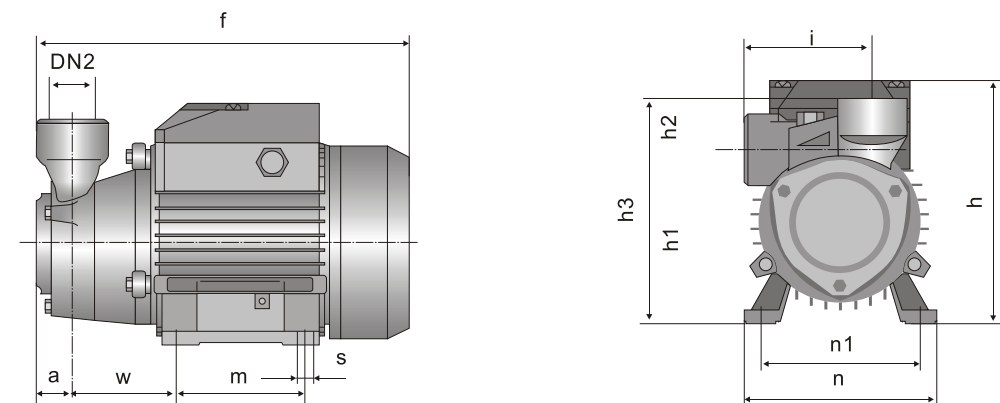


Flow rate Q

PERFORMANCE DATA at n=2900 l/min

PUMP MODEL		POWER		Qm ³ /h	0	0.3	0.6	0.9	1.2	1.5	1.8	2.1	2.7	3.0	3.3	
Single phase	Three phase	KW	HP	L/min	0	5	10	15	20	25	30	35	45	50	55	
TPQm-60	TPQ-60	0.37	0.50	H m	36	35	30	25	20	15	10	5				
TPQm-65	TPQ-65	0.50	0.70		50	—	46	40	34.5	28.5	23	17	5			
TPQm-70	TPQ-70	0.60	0.85		60	55	50	45	40	35	30	25	15	10		
TPQm-80	TPQ-80	0.75	1		66	60	55.5	51	46.5	42	37.5	33	24	19.5	15	

H=TOTAL DYNAMIC HEAD IN METERS.Q=FLOW RATE



PUMP MODEL		DN1	DN2	DIMENSIONS mm											
Single phase	Three phase			a	f	h	h1	h2	h3	i	m	n	n1	w	s
TPQm-60	TPQ-60	1"	1"	22	223	152	108	30	138	78	80	120	100	55	7
TPQm-60	—	1"	1"	22	234	152	113	30	143	78	80	120	100	57	7
—	TPQ-65	1"	1"	22	227	152	113	30	143	78	80	120	100	57	7
TPQm-70	TPQ-70	1"	1"	22	253	179	121	30	151	83	80	134	112	62	7
TPQm-80	TPQ-80	1"	1"	22	253	179	121	30	151	83	80	134	112	62	7