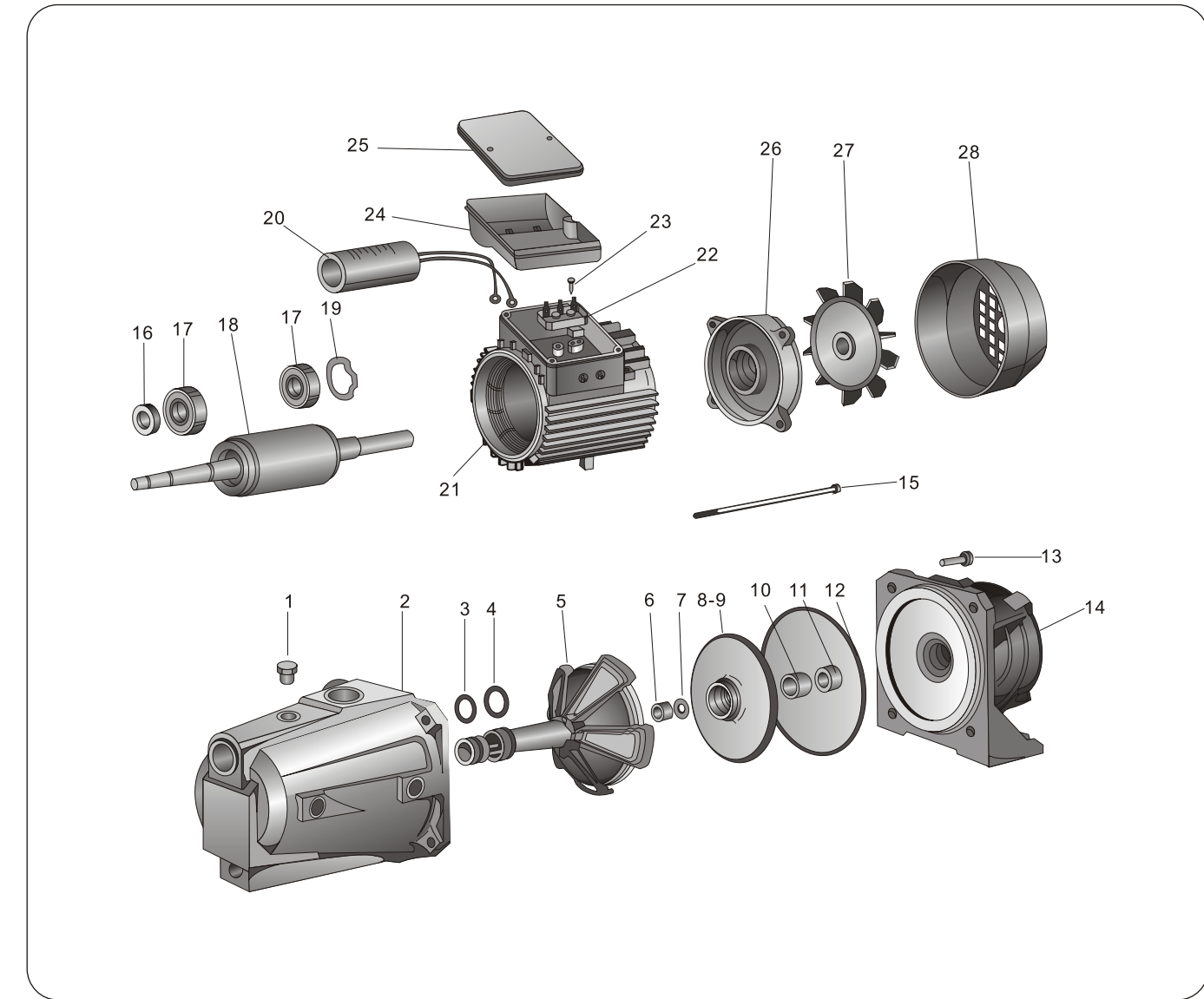


“JET” PUMPS



Motor spare part list/drawing



N.	DESCRIPTION	N.	DESCRIPTION	N.	DESCRIPTION
1	Plug	11	Fixed seal member	21	Casing with wound stator
2	Casing	12	Ring gland	22	Terminal board
3	Nozzle OR	13	Screw	23	Screw
4	Venturi OR	14	Pump support	24	Terminal box
5	Venturi OR	15	Tie-rod	25	Terminal cover
6	Impeller check nut	16	Drops guard	26	Driving cap
7	Washer	17	Bearing	27	Fan
8	Impeller	18	Rotor shaft	28	Fan cover
9	Impeller	19	Split ring		
10	Rolling seal member	20	Capacitor		