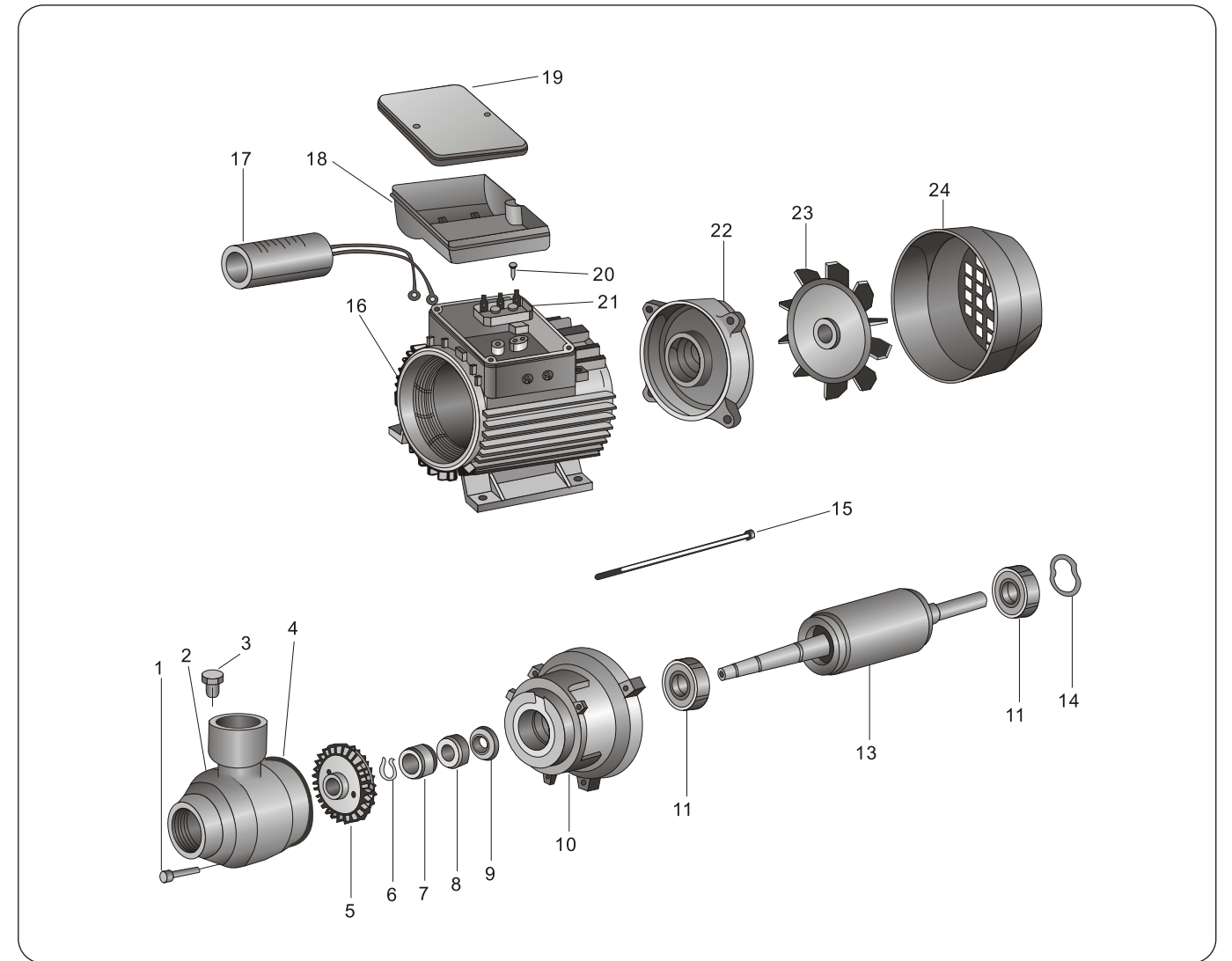


PERIPHERAL(VORTEX) PUMPS



Motor spare part list/drawing



N.	DESCRIPTION	N.	DESCRIPTION	N.	DESCRIPTION
1	Screw	11	Bearing	21	Terminal board
2	Casing	12	Key	22	Driving cap
3	Charge plug	13	Rotor shaft	23	Fan
4	Gland OR	14	Split ring	24	Fan cover
5	Impeller	15	Tie-rod		
6	Snap ring	16	Casing with wound stator		
7	Rolling seal member	17	Capacitor		
8	Fixed seal member	18	Terminal box		
9	Drops guard	19	Terminal cover		
10	Pump support	20	Screw		